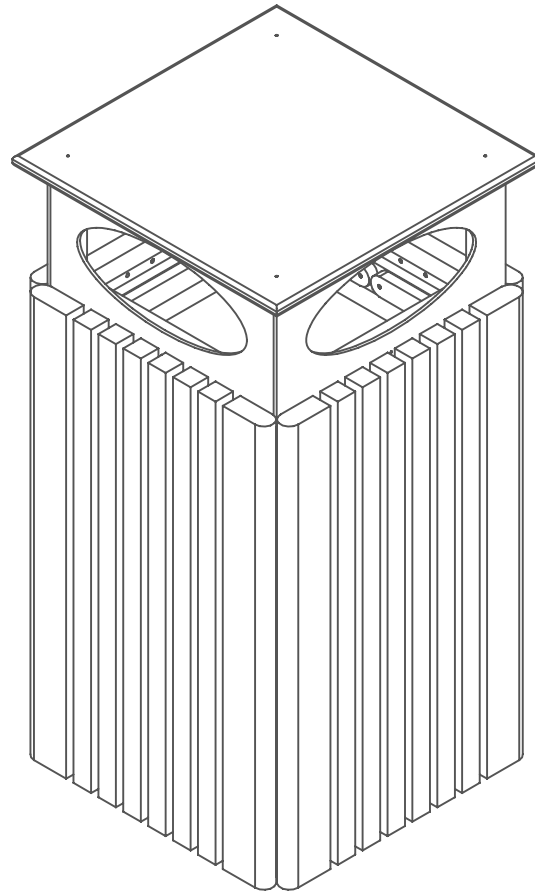


40 Gallon Trash Receptacle With Rain Cap

For Fastener Pack
(FP-T40C-CU-02)

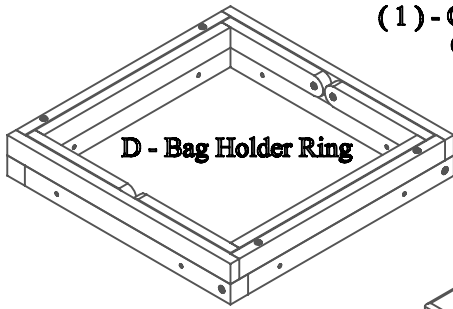


Congratulations !!

You have just purchased the finest recycled plastic
trash receptacle available. Enjoy !!!

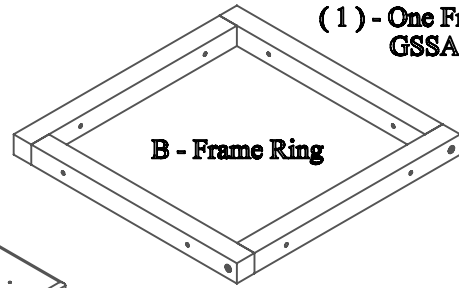
Before assembly, please make sure all components are included.

(1) - One Bag Holder Ring
GSSA-T40-C-01

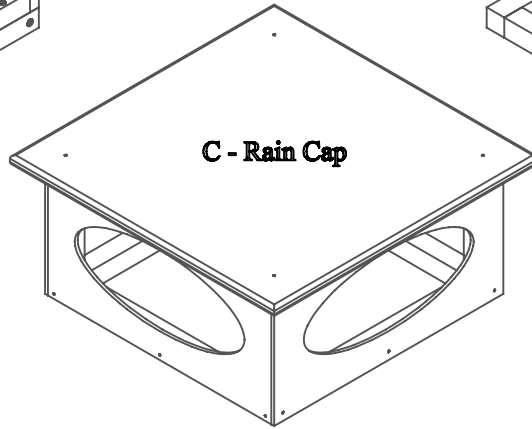


D - Bag Holder Ring

(1) - One Frame Ring
GSSA-TRPB-A-01



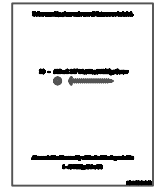
B - Frame Ring



C - Rain Cap

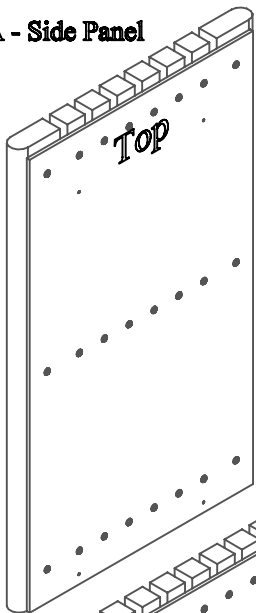
(1) - One Rain Cap
GSSA-T40C-A-01

FP - Fastener Pack



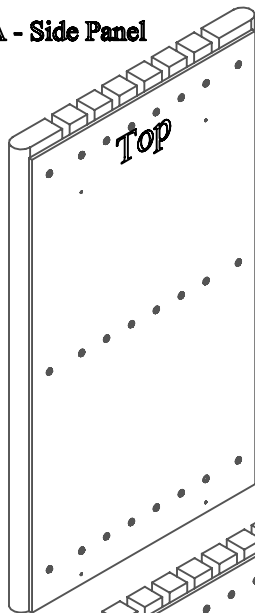
(1) - One Fastener Pack
FP-T40C-CU-02

A - Side Panel



Top

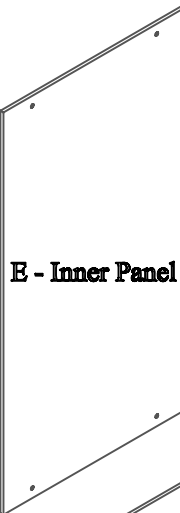
A - Side Panel



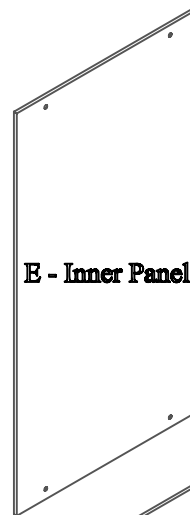
Top

(4) - Four Side Panels
GSSA-T40-A-01

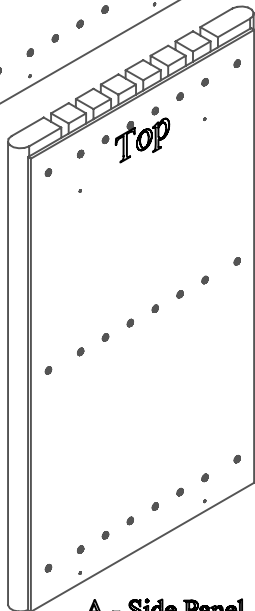
(4) - Four Inner Panels
GSP-T40-I-01



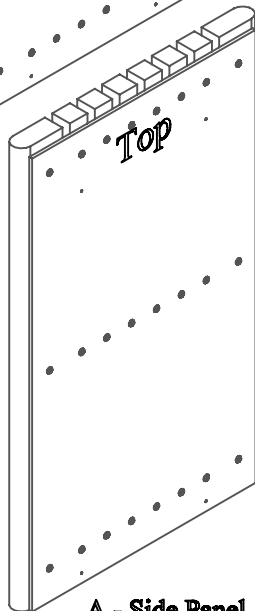
E - Inner Panel



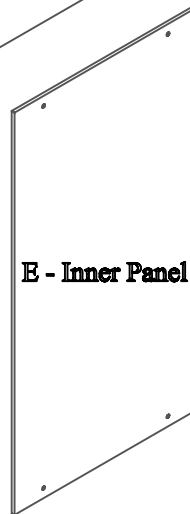
E - Inner Panel



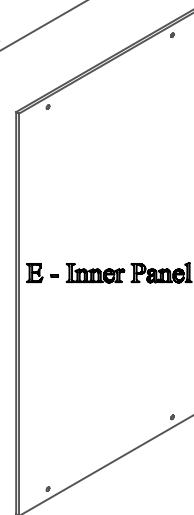
A - Side Panel



A - Side Panel



E - Inner Panel



E - Inner Panel

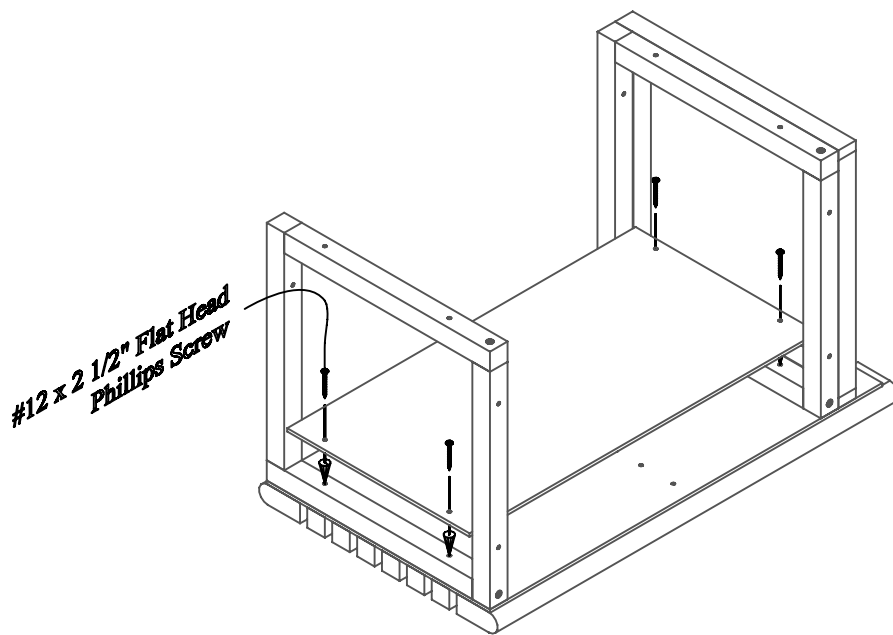
Before assembly, please make sure all fasteners are included.

16 - #12 x 2 1/2" Flat Head Phillips Screw



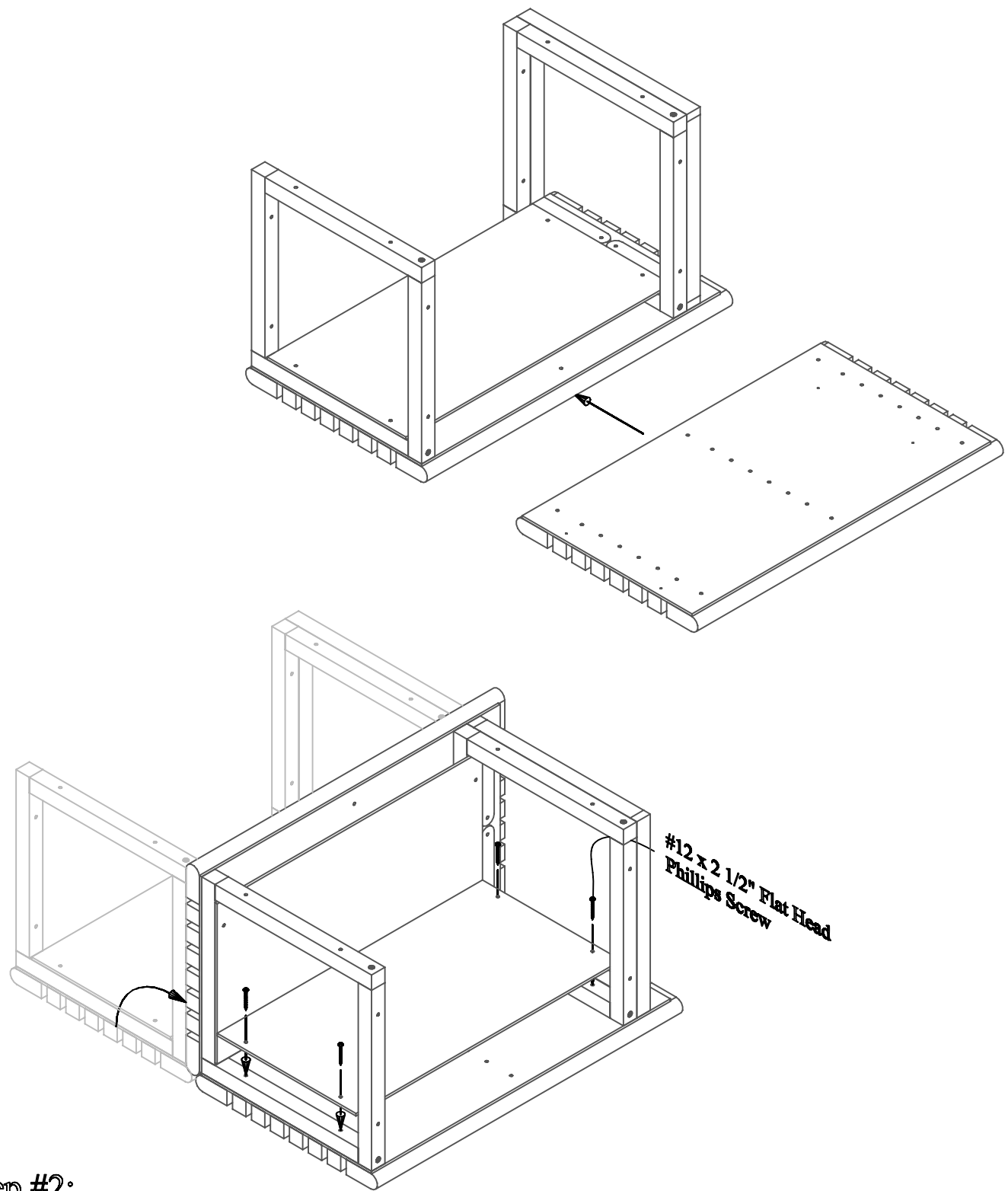
Also needed for this assembly will be the following materials:

1 - #3 Phillips Drive Bit



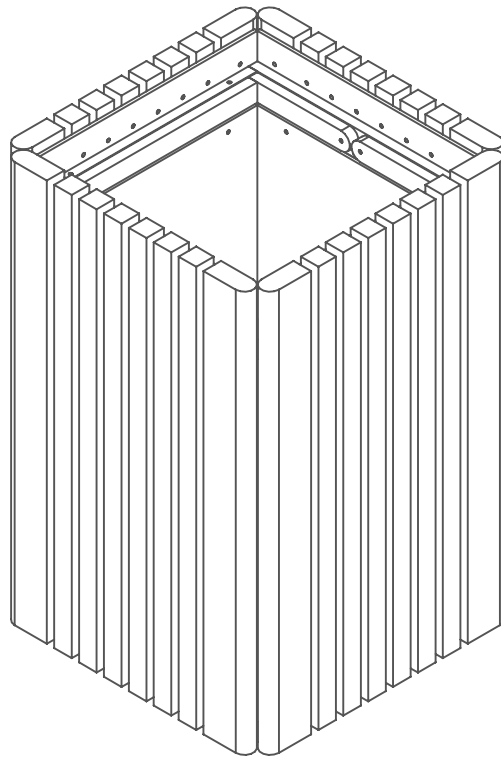
Step #1:

Lay a Side Panel as shown. Place the Bag Holder Ring at the top of the panel and the Frame Ring at the bottom of the panel as shown in the above diagram. Slide the Inner Panel into the center of the two Rings as shown above. Making sure the holes line up with the pre-drilled pilot holes in the panel. Fasten using (1) one 2-1/2" flat head philips screw per hole.



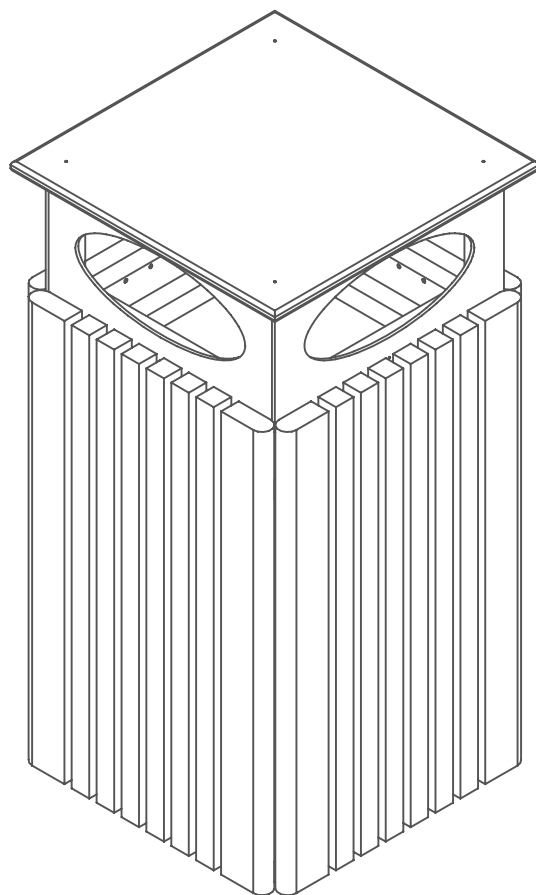
Step #2:

Place another Side Panel beside the previous panel so that it touches as displayed in the diagram above. Gently turn the side panel with the rings installed onto the new side panel. Slide the Inner Panel into the center of the rings as shown above. Making sure the holes line up with the pre-drilled pilot holes in the panel. Fasten using (1) one 2-1/2" flat head phillips screw per hole. Repeat this step for the rest of the Side Panels.



Step #3:

Turn the trash receptacle upright onto its base. Please use caution while moving. At this point in assembly the receptacle will weigh approximately 145 pounds.



Step #4:

To place the lid on the trash receptacle, rest it on the inner ledge of the side walls.