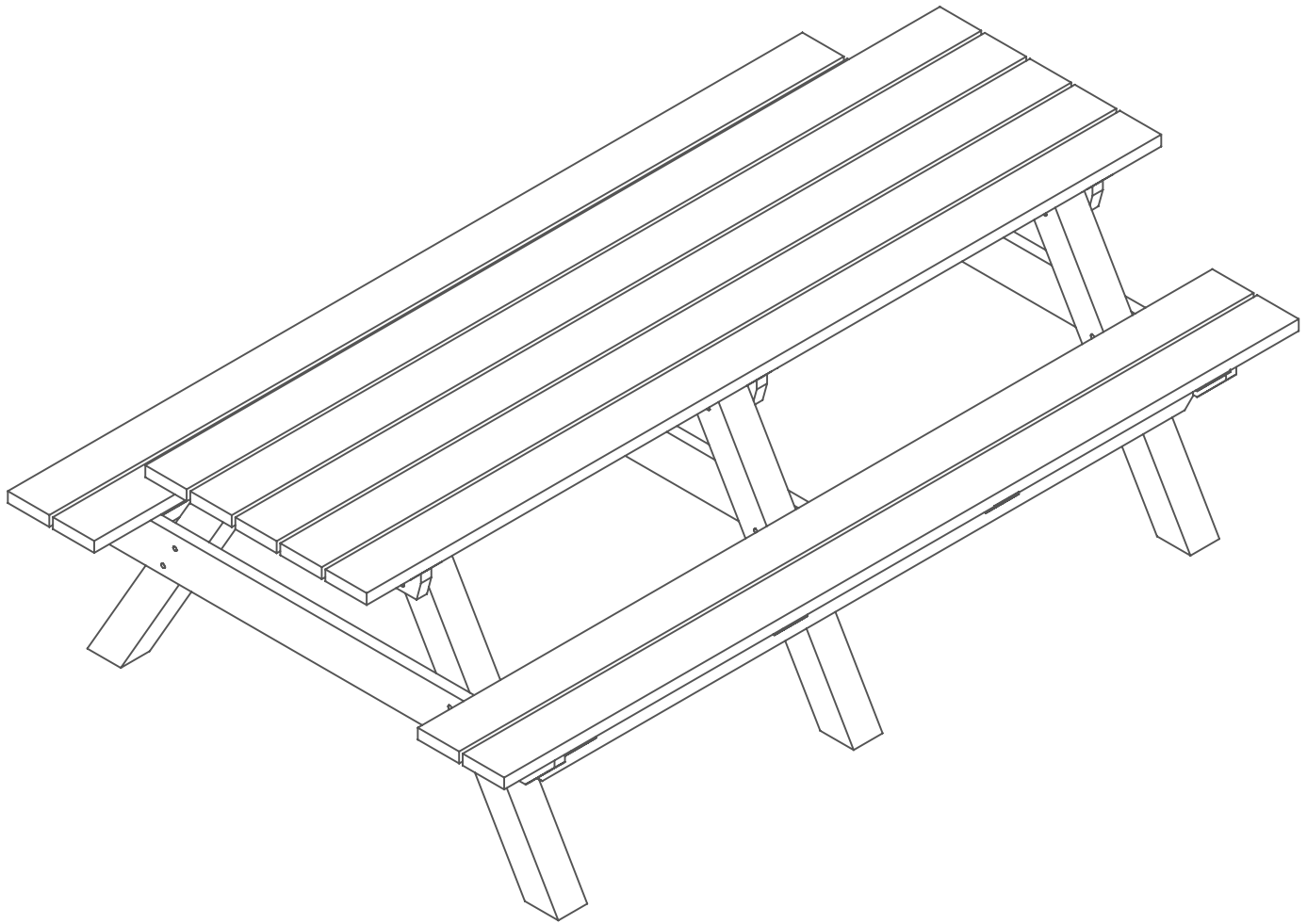


Econo-Mizer 8' Picnic Table

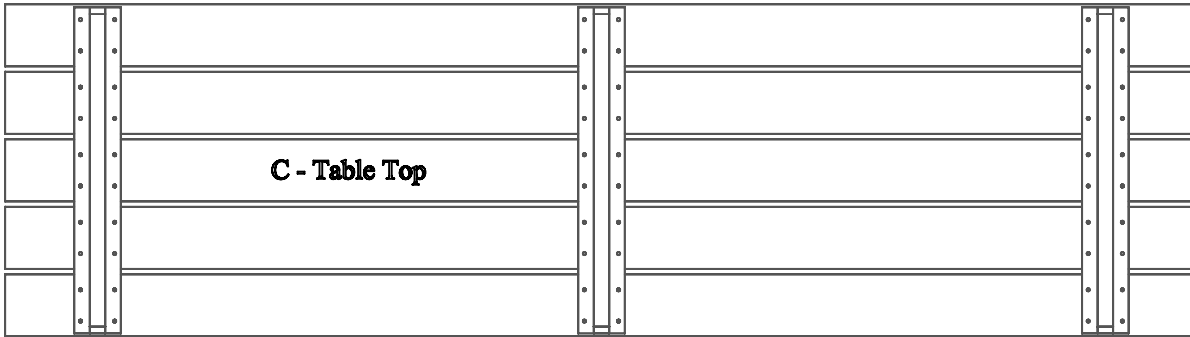
For Fastener Pack
(FP-EPT8-CU-00)



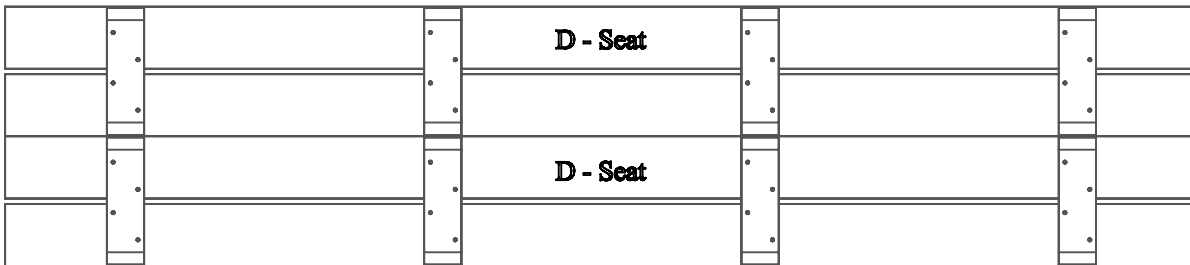
Congratulations !!

You have purchased the finest recycled plastic
picnic table available. Enjoy !!!

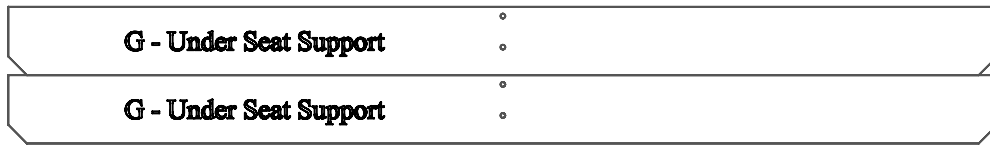
Before assembly, please check to make sure all components are included.



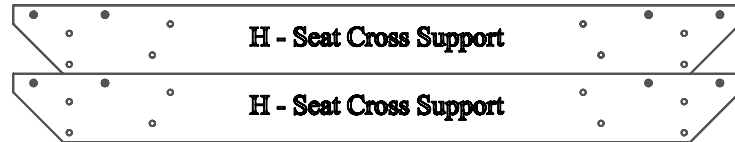
(1) - One Table Top
STSA-EPT8-A-00



(2) - Two Seats
STSA-EPT8-B-00



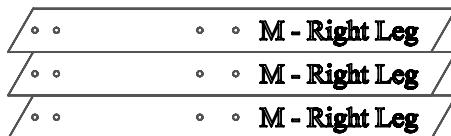
(2) - Two Under Seat Supports
STP-LW8-C-00



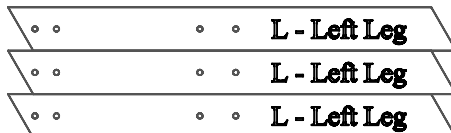
(2) - Two Seat Cross Supports
STP-LW4-E-00



(1) - One Center Support
STP-LW8-D-00



(3) - Three Right Legs
STP-LW6-E-00



(3) - Three Left Legs
STP-LW6-D-00

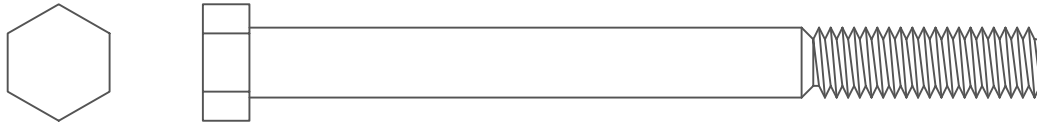


(1) - One Fastener Pack
FP-EPT8-CU-00

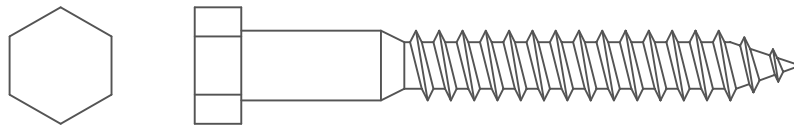
FP - Fastener Pack

Before assembly, please check to make sure all fasteners are included.

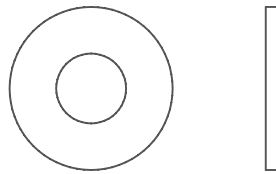
24 - 3/8" x 4 1/2" Hex Head Bolt



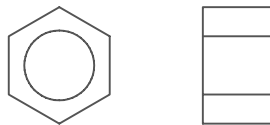
12 - 3/8" x 3" Hex Head Lag Bolt



60 - 3/8" Flat Washer



24 - 3/8" Nylon Lock Nut



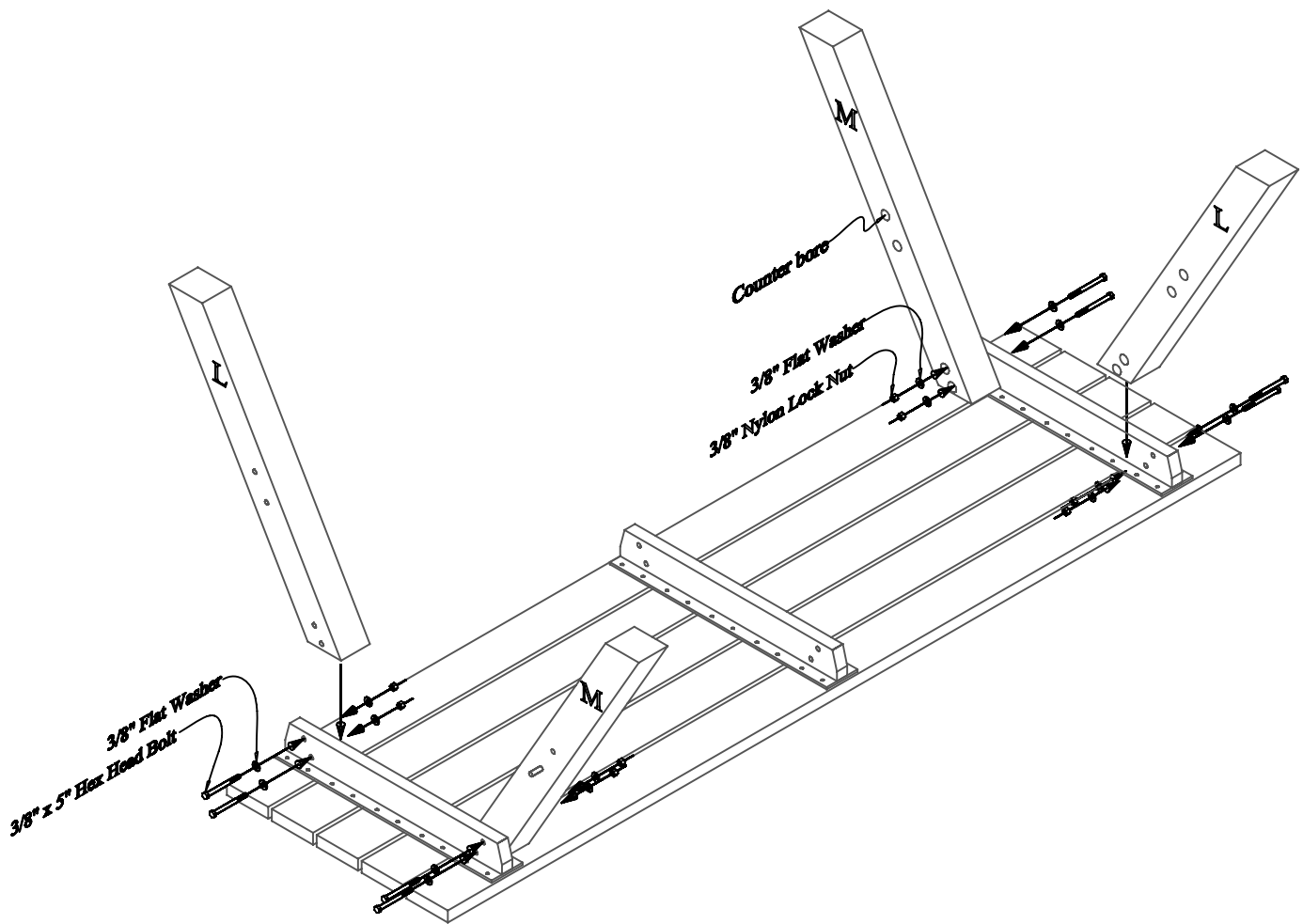
8 - #12 x 3" Phillips Head Flat Screw



Also needed for this assembly will be the following materials:

1 - #3 Phillips Drive Bit

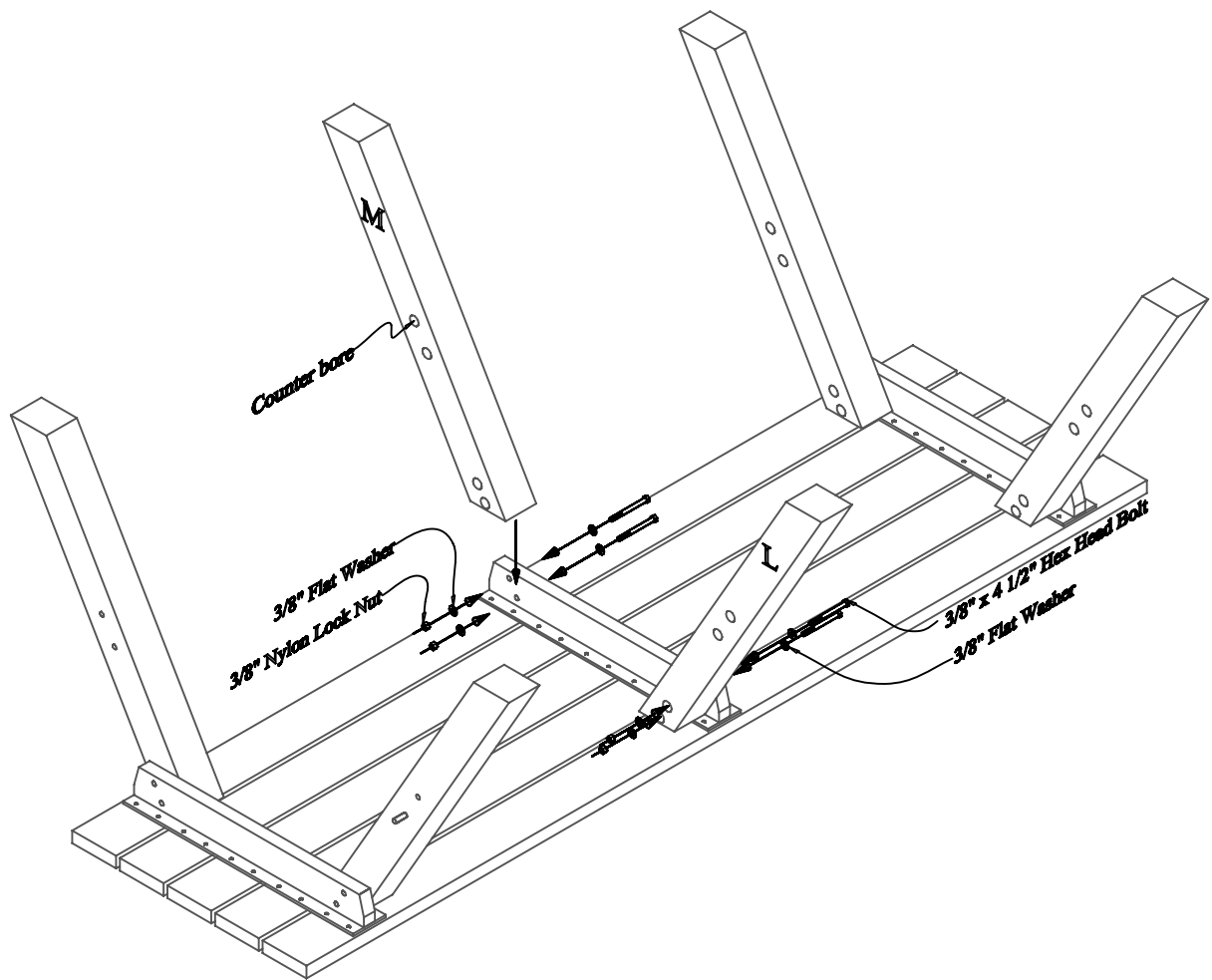
2 - 9/16" Socket Wrench



Step #1:

While the table top is upside-down, fasten (4) Four legs to the left and right top supports being sure that the counter bores are pointing toward the center of the table as shown above. Use (1) One 3/8" x 4 1/2" Hex Head Bolt and (1) 3/8" Flat Washer along with, (1) One 3/8" Flat Washer and (1) One 3/8" Nylon Lock Nut per hole to secure.

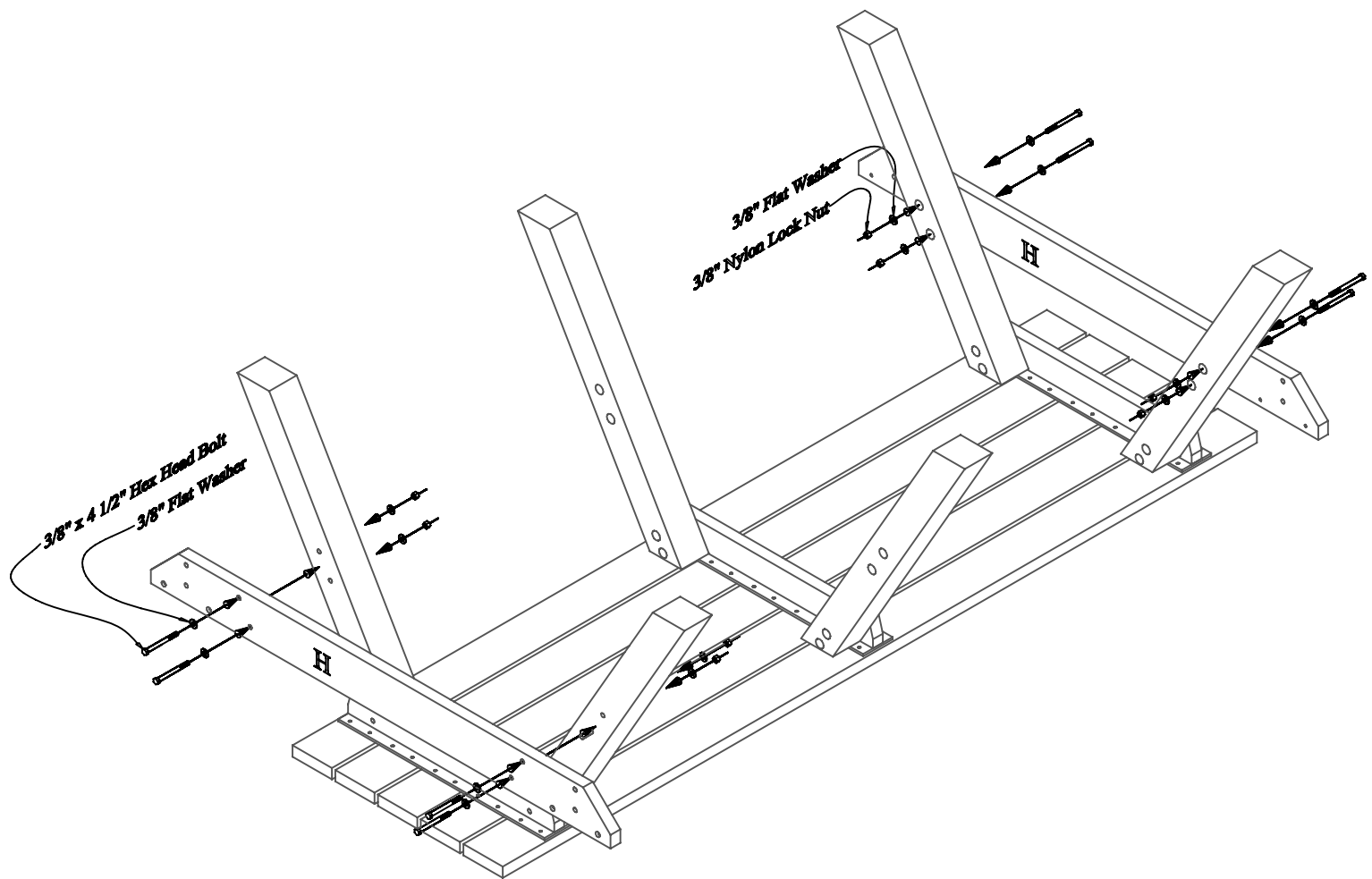
Note: Do not tighten bolts completely. This will be done in a later step.



Step #2:

While the table top is upside-down, fasten (2) Two legs to the center top support being sure that the counter bores are pointing away from the top support as shown above. Use (1) One 3/8" x 4 1/2" Hex Head Bolt and (1) One 3/8" Flat Washer along with, (1) One 3/8" Flat Washer and (1) One 3/8" Nylon Lock Nut per hole to secure.

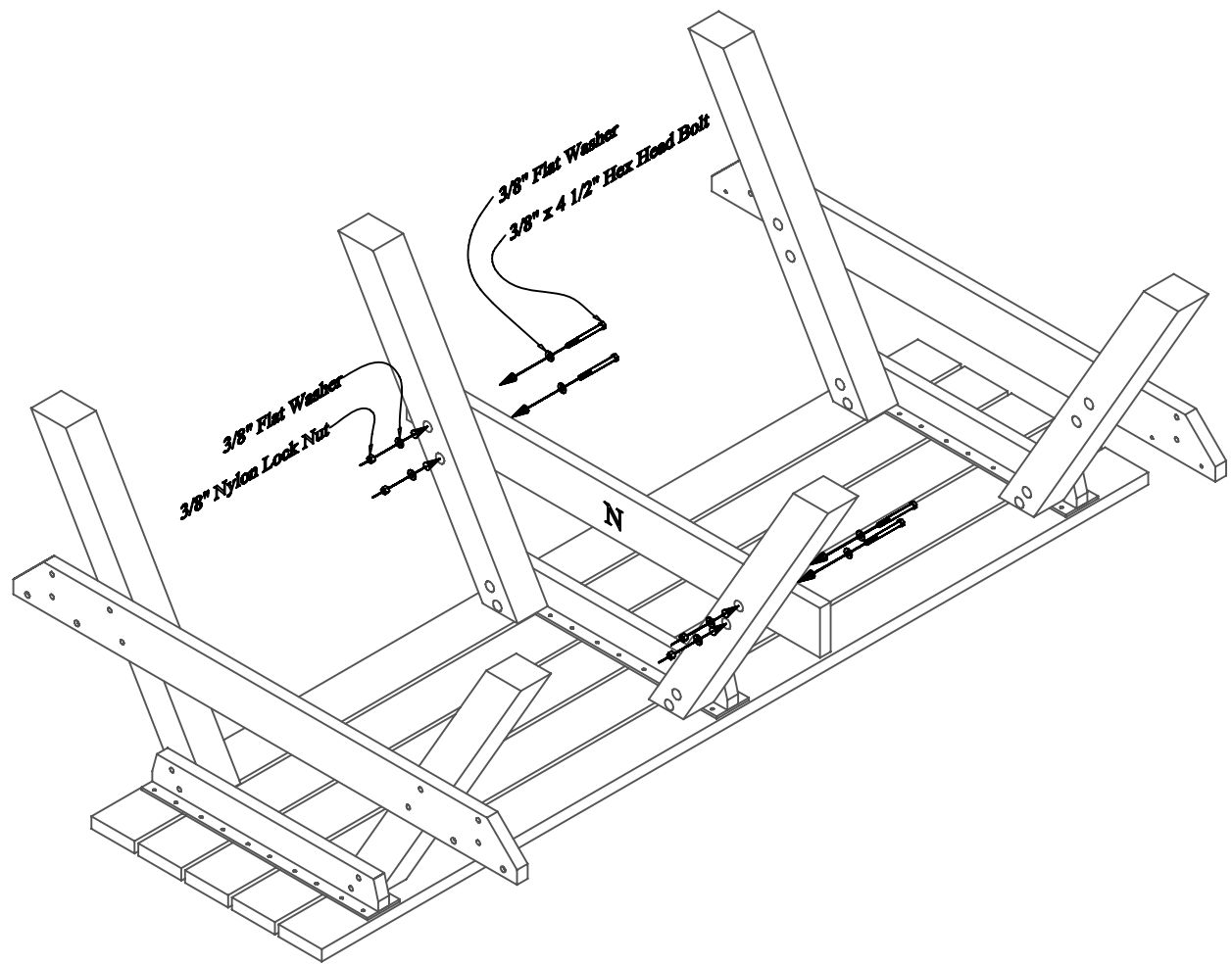
Note: Do not tighten bolts completely. This will be done in a later step.



Step #3:

While the table is upside-down, fasten the seat cross supports to the legs. Use (1) One 3/8" x 4 1/2" Hex Head Bolt and (1) One 3/8" Flat Washer along with (1) One 3/8" Flat Washer and (1) One 3/8" Nylon Lock Nut per hole to secure.

Note: Do not tighten bolts completely. This will be done in a later step.



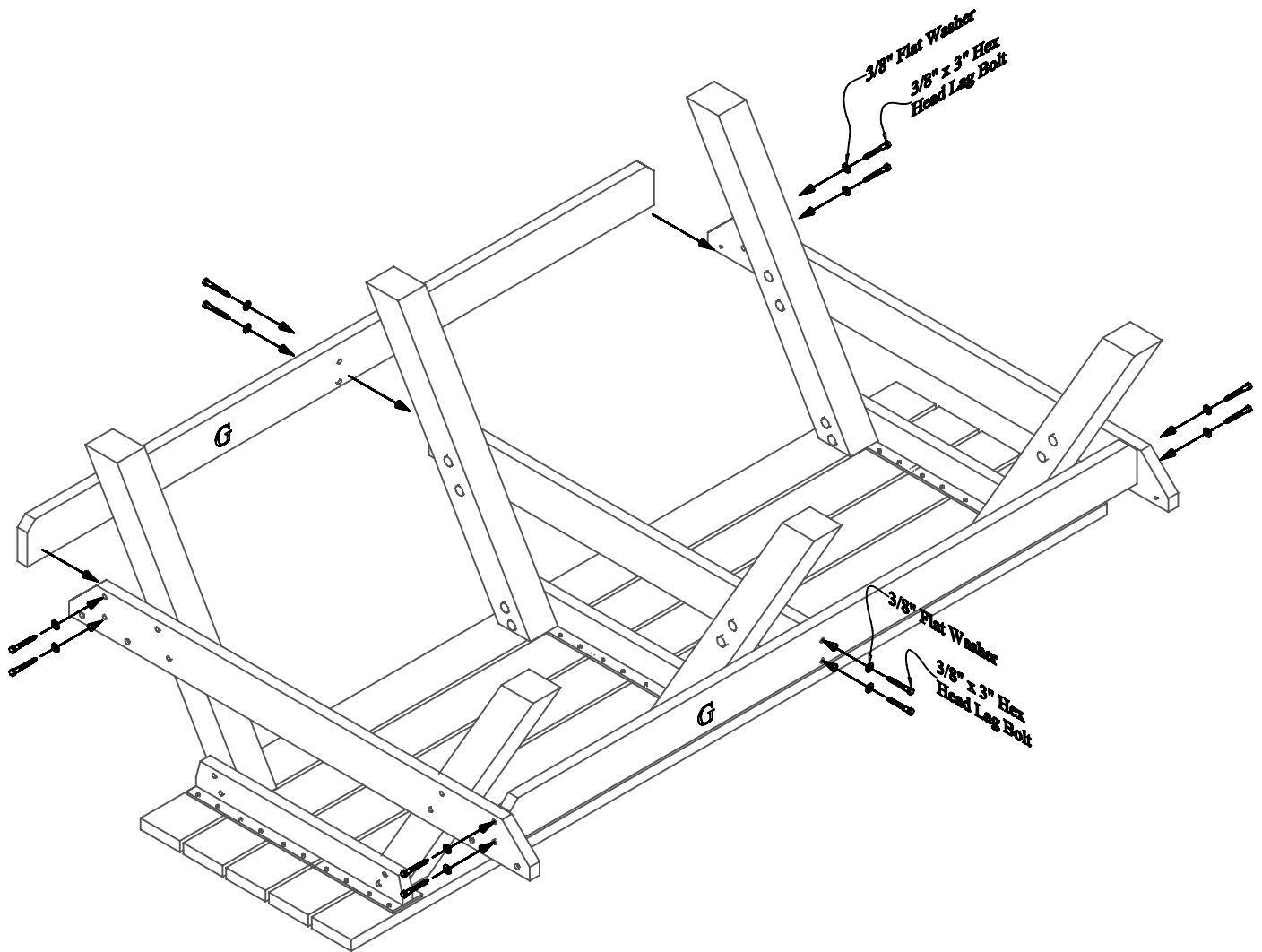
Step #4:

While the table is upside-down, fasten the center support to the legs. Use (1) One 3/8" x 4 1/2" Hex Head Bolt and (1) One 3/8" Flat Washer along with (1) One 3/8" Flat Washer and (1) One 3/8" Nylon Lock Nut per hole to secure.

Note: Do not tighten bolts completely. This will be done in a later step.

Step #5:

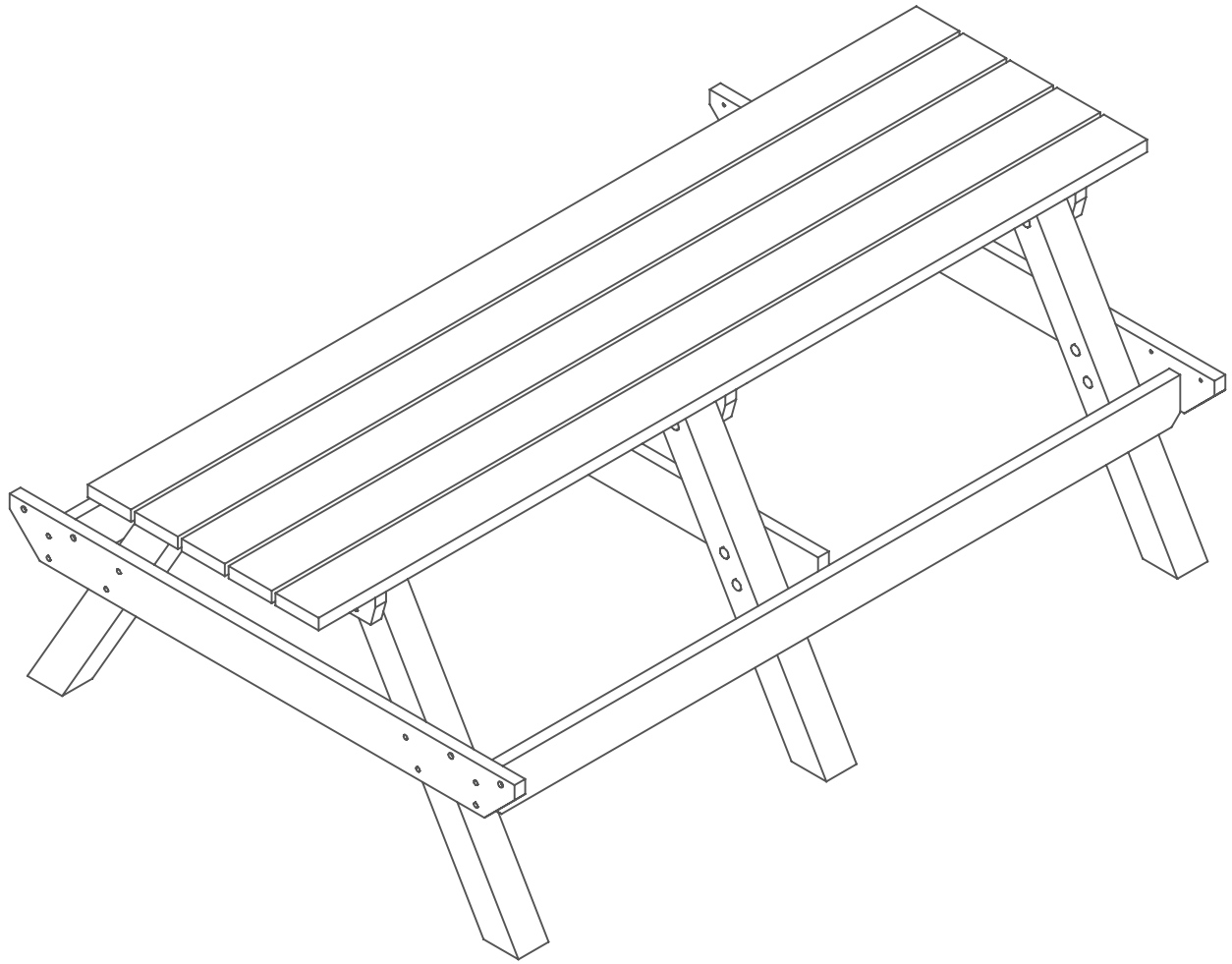
While the table top is upside-down, fasten the under seat supports to the seat cross supports. Use (1) One 3/8" x 3" Hex Head Lag Bolt and (1) One 3 /8" Flat Washer per hole to secure.



Step #6:

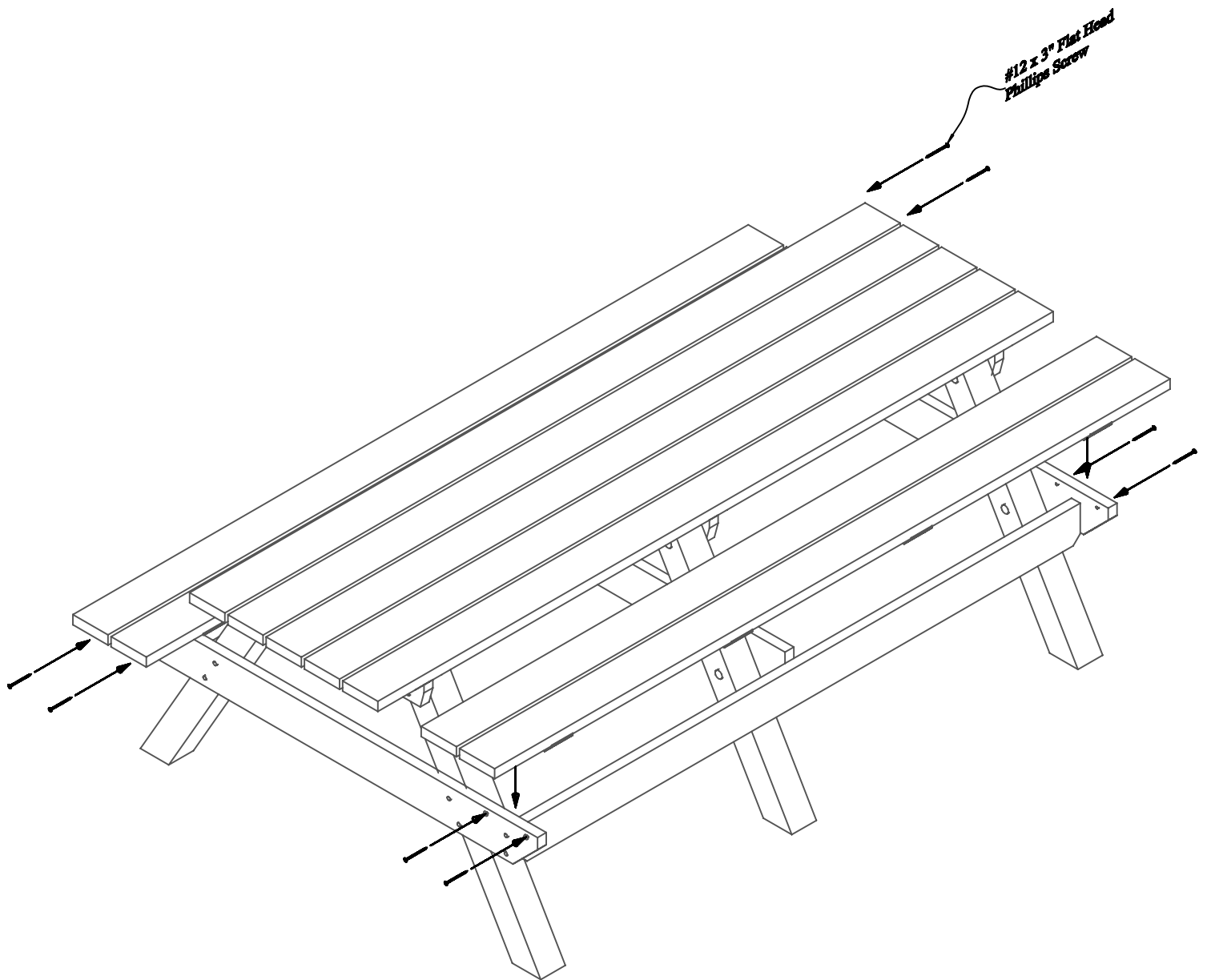
Secure the under seat supports completely by fastening to the center support. Use (1) One 3/8" x 3" Hex Head Lag Bolt and (1) One 3 /8" Flat Washer per hole to secure.

Note: Be sure to tighten all loose bolts after these steps are complete.



Step #7:

Flip the table upright onto the legs. Please take caution while flipping the table. At this point in assembly the table weighs approximately 235 Pounds.



Step #8:

While the table is upright fasten the seats to the seat cross supports and being sure to center the gap in the seats over the under seat support. Use (1) One #12 x 3" Flat Head Phillips Screw per hole to secure.