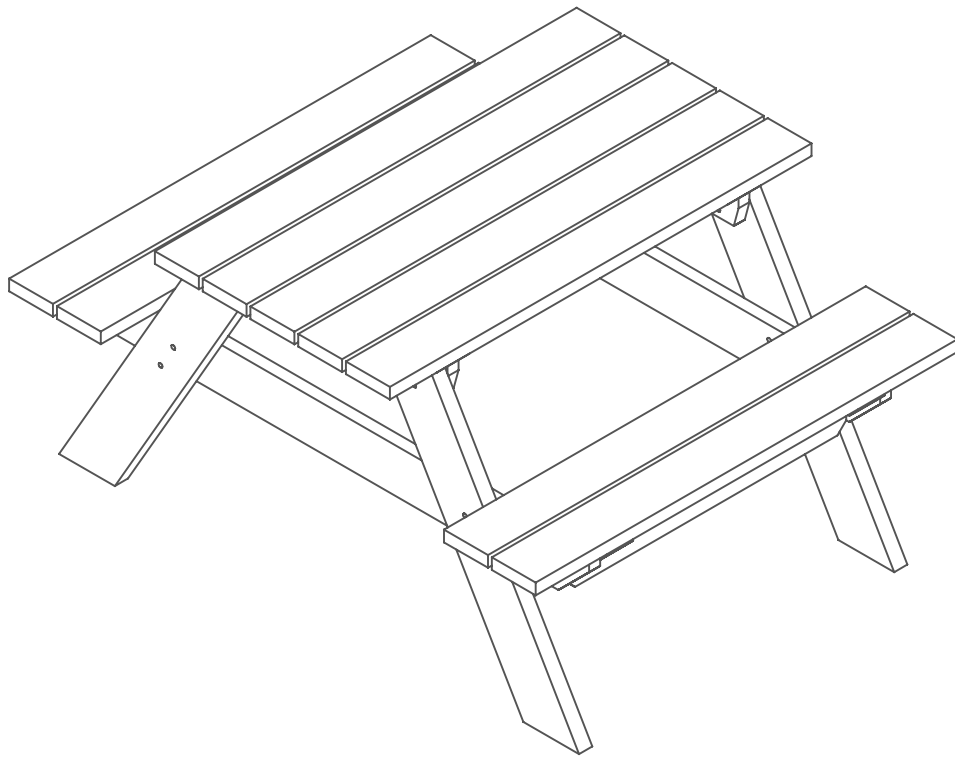


# Econo-Mizer 4' Picnic Table

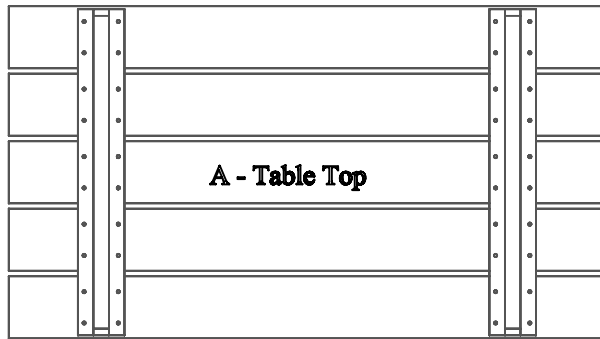
For Fastener Pack  
(FP-EPT4-CU-00)



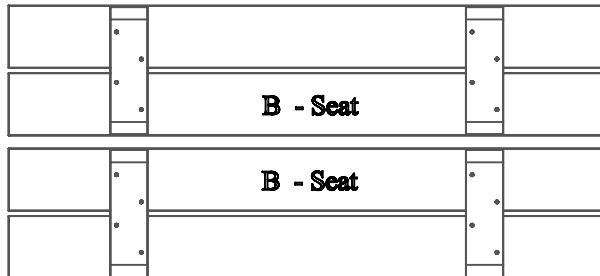
Congratulations !!

You have purchased the finest recycled plastic  
picnic table available. Enjoy !!!

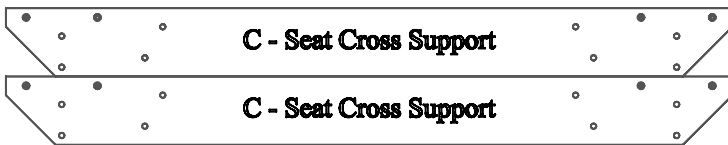
Before assembly, please check to make sure all components are included.



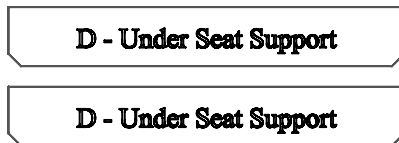
( 1 ) - One Table Top  
STSA-EPT4-A-00



( 2 ) - Two Seats  
STSA-EPT4-B-00



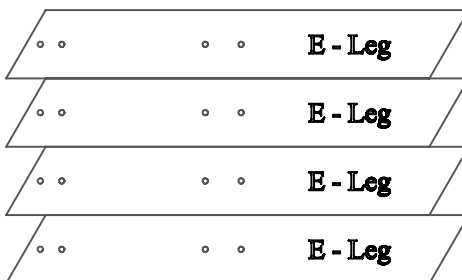
( 2 ) - Two Seat Cross Supports  
STP-LW4-E-00



( 2 ) - Under Seat Supports  
STP-LW4-F-00



( 1 ) - One Fastener Pack  
FP-EPT4-CU-00

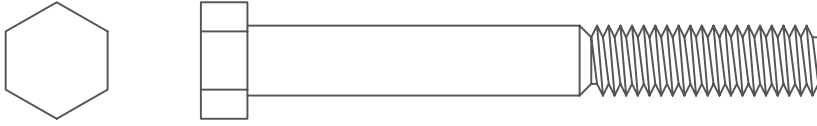


( 4 ) - Four Legs  
STP-LW4-D-00

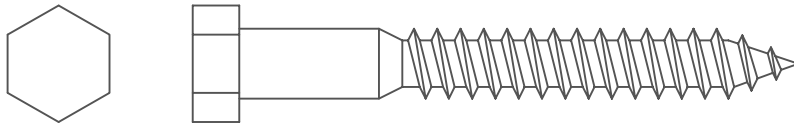
FP - Fastener Pack

Before assembly, please check to make sure all fasteners are included.

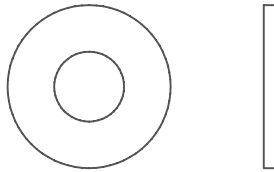
16 - 3/8" x 3 1/4" Hex Head Bolt



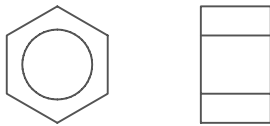
8 - 3/8" x 3" Hex Head Lag Bolt



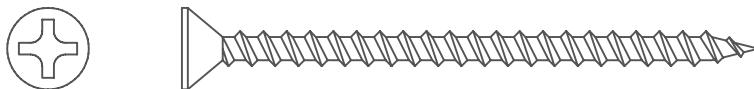
40 - 3/8" Flat Washer



16 - 3/8" Nylon Lock Nut



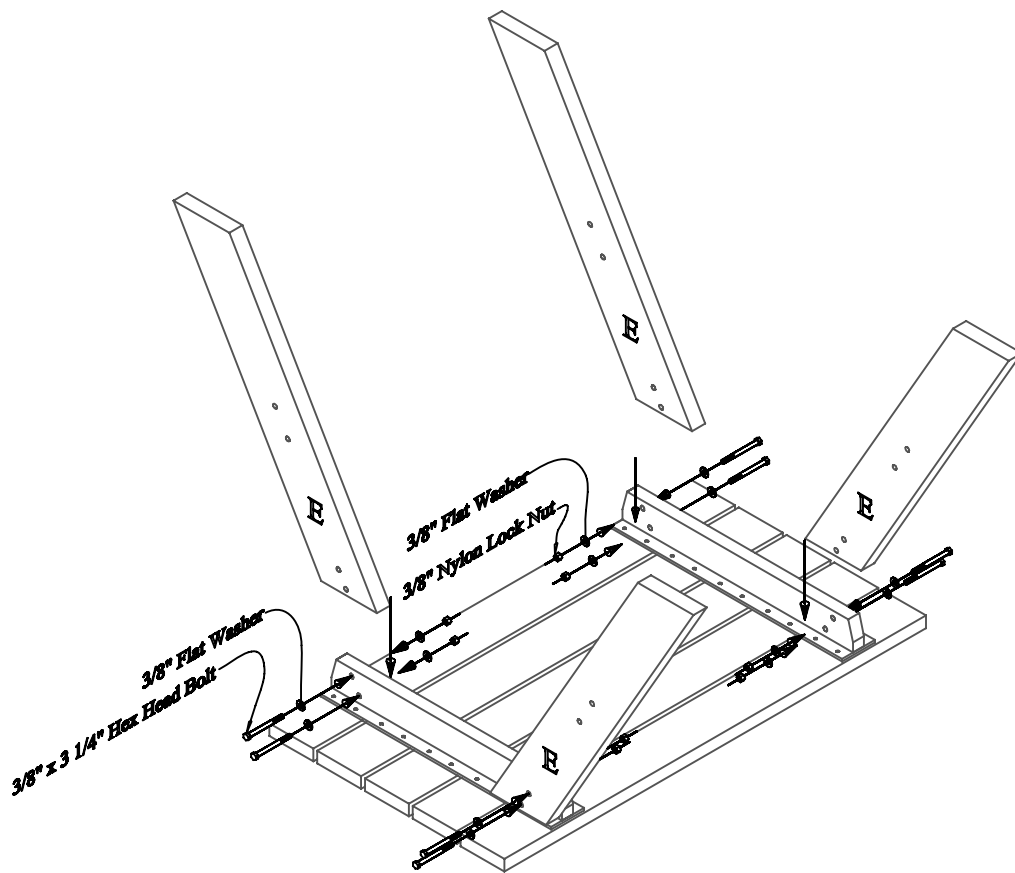
8 - #12 x 3" Phillips Head Flat Screw



Also needed for this assembly will be the following materials:

1 - #3 Phillips Drive Bit

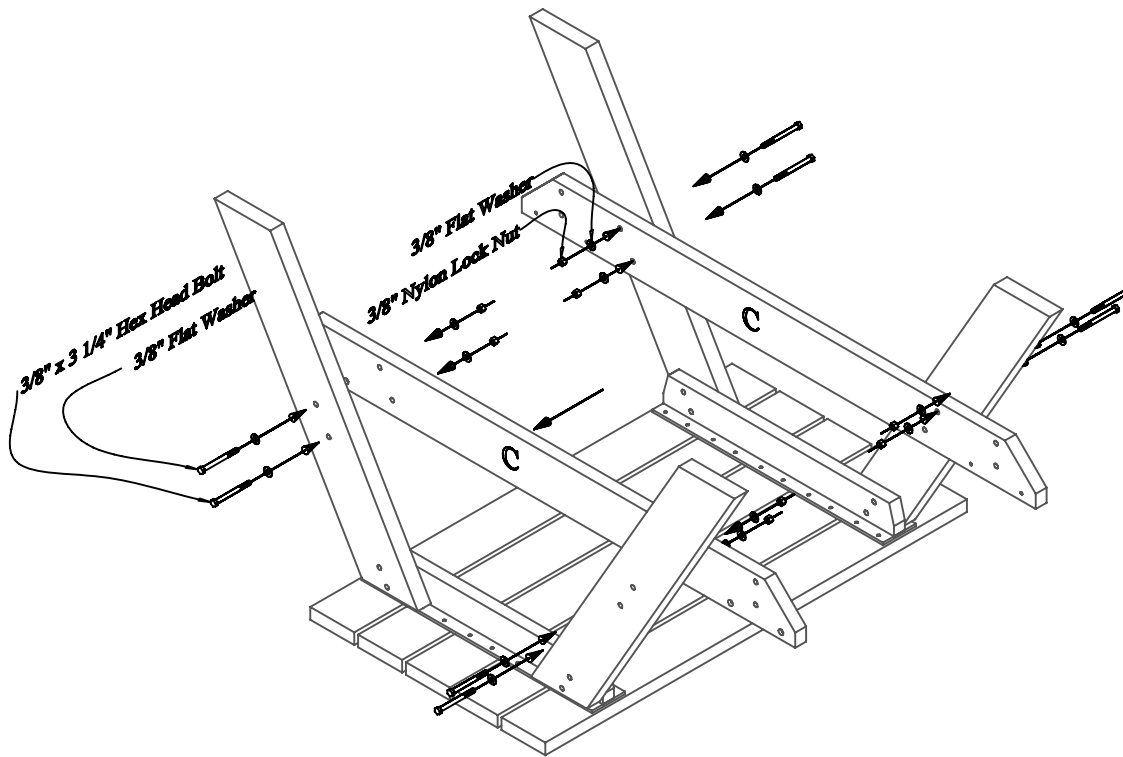
2 - 9/16" Socket Wrench



### Step #1

While the table top is upside-down, fasten the legs to the left and right top supports as shown above. Use ( 1 ) One 3/8" x 3 1/2" Hex Head Bolt and ( 1 ) 3/8" Flat Washer along with, ( 1 ) One 3/8" Flat Washer and ( 1 ) One 3/8" Nylon Lock Nut per hole to secure.

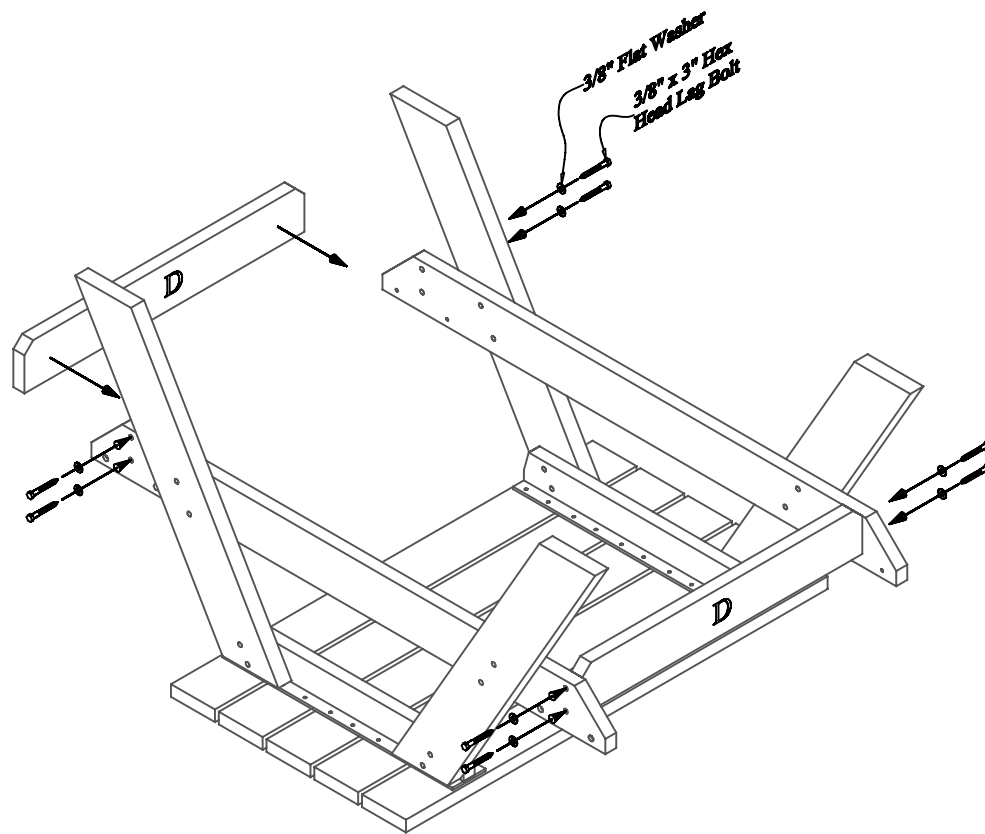
Note: Do not tighten bolts completely. This will be done in a later step.



## Step #2:

While the table is upside-down, fasten the seat cross supports to the legs. Use ( 1 ) One 3/8" x 3 1/4" Hex Head Bolt and ( 1 ) One 3/8" Flat Washer along with ( 1 ) One 3/8" Flat Washer and ( 1 ) One 3/8" Nylon Lock Nut per hole to secure.

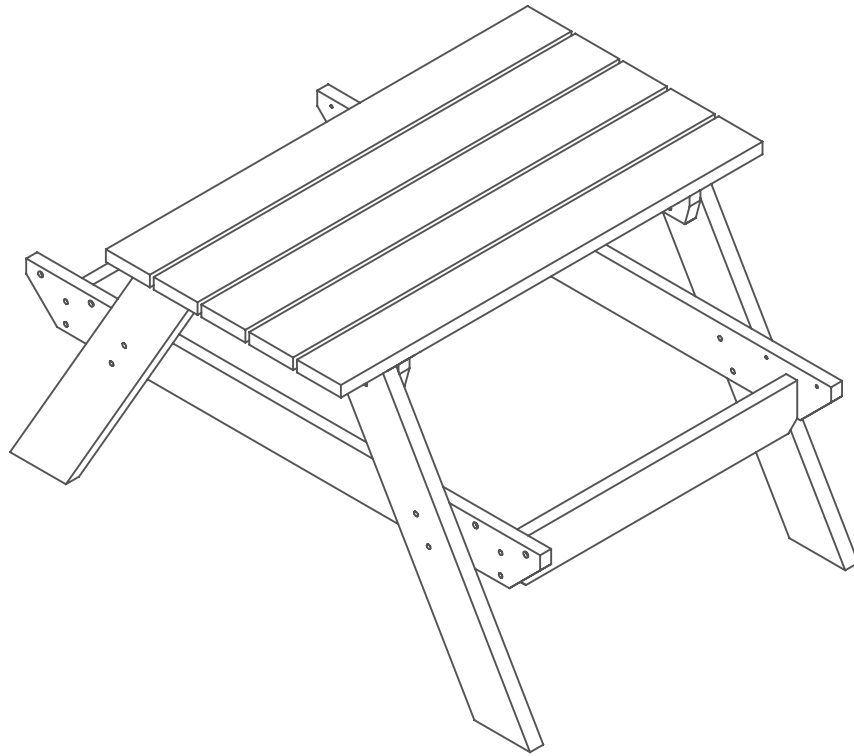
Note: Do not tighten bolts completely. This will be done in a later step.



### Step #3:

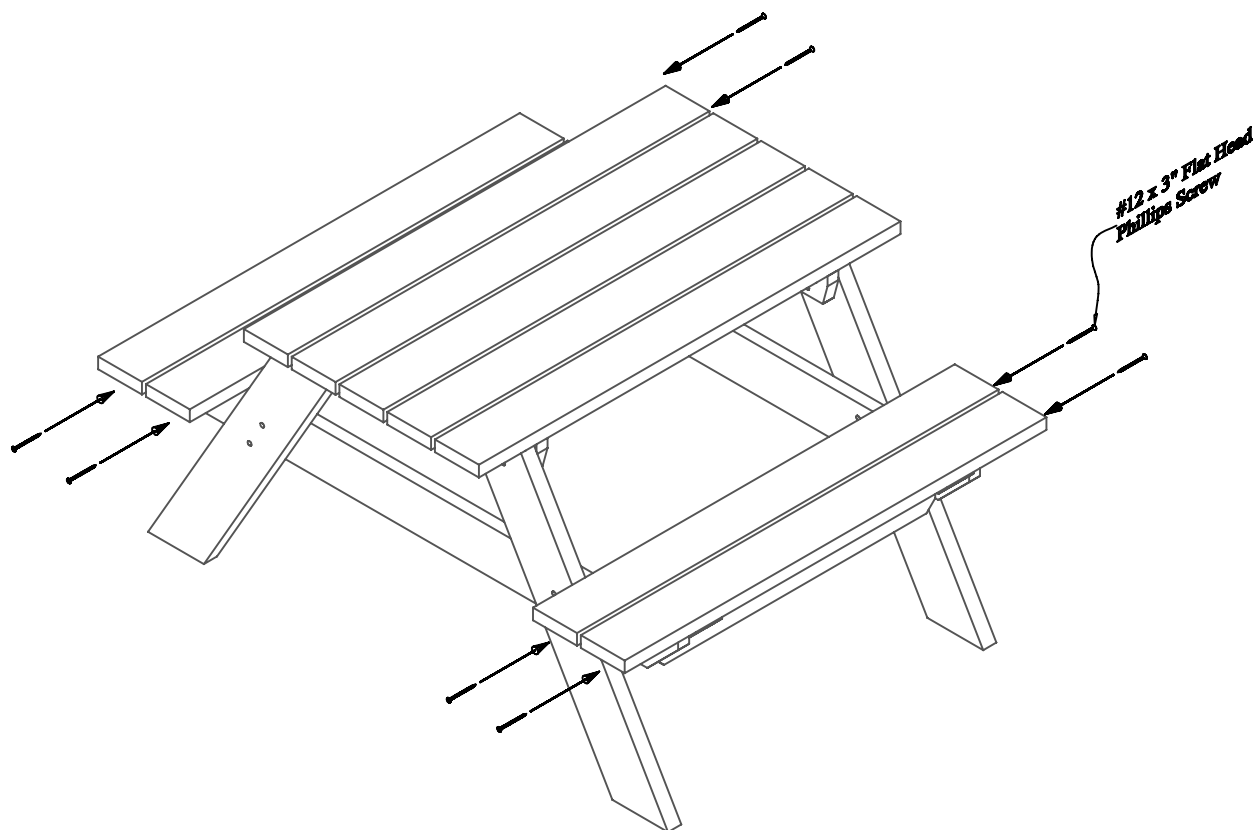
While the table top is upside-down, fasten the under seat supports to the seat cross supports. Use ( 1 ) One 3/8" x 3" Hex Head Lag Bolt and ( 1 ) One 3 /8" Flat Washer per hole to secure.

Note: Be sure to tighten all loose bolts after these steps are complete.



**Step #4:**

Flip the table upright onto the legs. Please take caution while flipping the table. At this point in assembly the table weighs approximately 158 Pounds.



**Step #5:**

While the table is upright fasten the seats to the seat cross supports  
Making sure the gap in the seat is centered over the cross supports.  
Use ( 1 ) One #12 x 3" Flat Head Phillips Screw per hole to secure.